



Performance Under Pressure

PARTS LIST FOR
HSP-3003-3MGH/GR/GV
(SERIAL BREAK #15048210)

ENGINE OIL GRADE:
HONDA/ROBIN: SAE10W-30
VANGUARD: ABOVE 40°F = SAE30 /
BELOW 40°F = SAE10W-30

ENGINE OIL CAPACITY:
HONDA/ROBIN: 37 oz.
VANGUARD: 40 oz.

PUMP OIL GRADE: SAE30W Non-Detergent
PUMP OIL CAPACITY: 14 oz.
BTU INPUT: 253, 000 / hour
PRESSURE NOZZLE SIZE: 3.5

This Parts Listing has been compiled for your benefit. You can be assured your hot water pressure washer was constructed and designed with quality and performance in mind. Each component has been rigorously tested to insure the highest level of quality.

The contents of this Parts Listing are based on the latest product information available at the time of publication. The manufacturer reserves the right to make changes in price, color, materials, equipment, specifications or models at any time without notice.

WARNING

THIS IS A PROFESSIONAL HIGH PRESSURE, HOT WATER PRESSURE WASHER. CAUTION SHOULD BE OBSERVED WHEN USING OR REPAIRING THIS UNIT! READ AND FOLLOW THE SAFETY WARNINGS LISTED BELOW BEFORE ATTEMPTING ANY REPAIRS ON THIS PRESSURE WASHER!

SAFETY WARNINGS

1. NEVER alter or modify the equipment. Be sure any accessory items and system components being used will withstand the pressure developed. Use only genuine manufacturer parts for repair of your pressure washer. Failure to do so can cause hazardous operating conditions and will VOID warranty.
2. NEVER make adjustments on machinery while the unit is connected to the engine without first removing the ignition cable from the spark plug. Turning over the machinery by hand during adjustment or cleaning might start the engine and machinery with it, causing serious injury to the operator.
3. Know how to stop and bleed pressures quickly. Be thoroughly familiar with controls.
4. Before servicing the unit, turn unit off, relieve the water pressure and allow the unit to cool down. Do not make repairs while the unit is running. Service in a clean, dry, flat area. Block the wheels to prevent the unit from moving. Be especially careful to properly dispose of any flammable materials.
5. After testing the machine, DO NOT leave the pressurized unit unattended. Shut off the unit and release trapped pressure before leaving.

Table of Contents

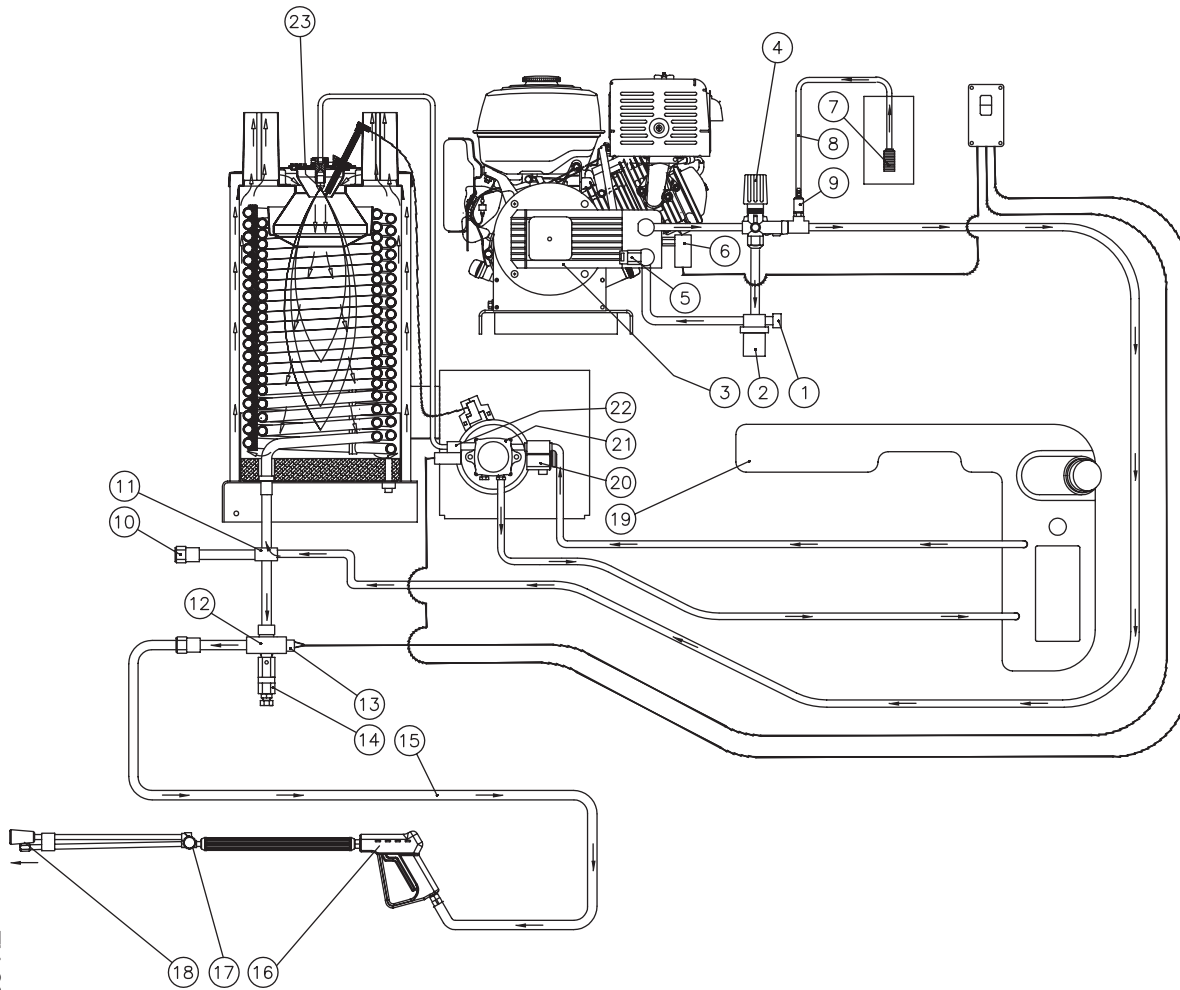
SPECIFICATIONS.....	5
FLOW CHART	6
EMF SYSTEM	6
GENERAL THEORY OF OPERATION	7
DECAL PLACEMENT	8
FRAME ASSEMBLY	10
ENGINE / PUMP ASSEMBLY	12
PUMP ASSEMBLY (3-0241)	14
UNLOADER/MANIFOLD ASSEMBLY.....	16
UNLOADER (850-0252).....	18
PRESSURE SWITCH (22-0171).....	20
DETERGENT INJECTOR (50-0052).....	22
COIL DRAIN PLUG (850-0218).....	23
HEAT EXCHANGER/EMF SYSTEM	24
BOILER ASSEMBLY (850-0226) AFTER SERIAL #15048210	26
ELECTRODE GAP SETTINGS.....	26
GUN ASSEMBLY (16-0001)	28
DUAL LANCE ASSEMBLY (16-0416)	30
FUEL TANK (850-0248).....	32
FUEL PUMP (3-0020) & FUEL SOLENOID (44-0100)	33
EMF SYSTEM (850-0257).....	34
ELECTRIC BOX	36
WIRING SCHEMATIC	38
WIRING DIAGRAM	39

NOTES

SPECIFICATIONS

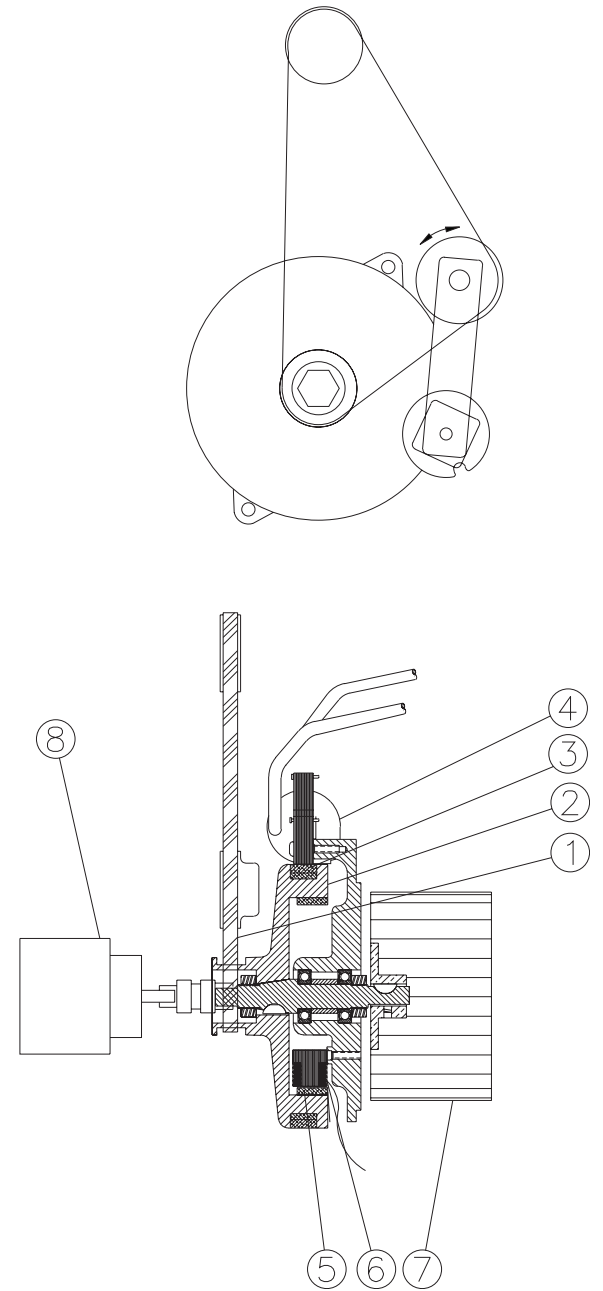
MODEL NUMBER	HSP-3003-3MGH	HSP-3003-3MGR	HSP-3003-3MGV
Operating Pressure (PSI/Bar):	3000/207 (+/- 5%)		
Water Volume (GPM/lpm):	2.90/11.0 (+/- 5%)		
Outlet Water Temperature (F/C):	130°F/ 72°C (+/- 20°F) rise above inlet ambient (210°F/ 99°C maximum)		
Engine:	Honda	Robin	Vanguard
Horsepower	9.0		
Engine Type	Four Stroke, Overhead Valve, Single Cylinder		
Oil Type	SAE 10W-30		Above 40°F = SAE 30 / Below 40°F = SAE 10W-30
Oil Capacity (oz./liter)	37/1.1		40 oz.
Low Oil Protection	Oil Alert™	Oil Sensor	Oil Guard™
Fuel Type	Unleaded Gasoline 86 Octane Minimum		
Fuel Capacity (gal./liter)	1.6/6.0		2.0/7.6
Starting	Recoil Rope		
Maximum No Load RPM	3600 (+/- 100)		
High Pressure Pump:	Direct Driven, Oil Bath, Triplex Piston		
Oil Type	SAE 30W Non-Detergent		
Oil Capacity (oz./liters)	14/41		
Plungers	Ceramic		
Manifold	Forged Brass		
Valves	Stainless Steel		
Unloader	Adjustable		
Inlet Water Strainer	Removable Clear Bowl for inspection and cleaning of Stainless Steel Screen		
Thermal Relief Valve	Relieves heated water during unloader bypass stage		
Detergent Injector:	Adjustable Low Pressure downstream from pump		
Burner Fuel System:			
Fuel Type	No.1 or No.2 Fuel Oil, Diesel or Kerosene		
Fuel Capacity (gal./liters)	5.5/21		
Fuel Filter/ Water Separator	Spin on (10 micron) filter/ E-Z water drain		
Fuel Pump	Two Line, Single Stage		
Fuel Pressure (PSI/ BAR)	145/10		
Fuel Nozzle	1.50 60° A Delavan		
Fuel Consumption (GPH/ LPH)	1.81 GPH Continuous Burning		
Electro Magnetic Firing (EMF) System:	Belt Driven (Patent # 5,954,494)		
Ignition	Transistorized Magneto		
Control Voltage	12 Volt DC		
Blower	Forced Air		
Heat Exchanger:	Vertical, Top fired, Dual Spiral Coil		
BTU Input	253,000		
Efficiency	83% with #2 Fuel Oil/ Diesel		
Smoke Density	0-3 per ASTM D2156		
Controls:			
On/ Off Switch	Industrial grade rocker switch		
Pressure Switch	Shuts off burner fuel supply upon trigger release		
High Limit Switch	Shuts off burner fuel supply when outlet water temp. exceeds 210°F/ 99°C		
Fuel Solenoid:	12 Volt		
Safety Relief:	Relieves excess system pressure		
Unit Net Weight (Lbs/kg):	428/194		
Unit Shipping Weight (Lbs/kg):	551/250		
Unit Net Dimension (In/cm):	43Lx30Wx41H/109 x76Wx104H		
Unit Shipping Dimension (In/cm):	46.5Lx31.5Wx48.5H/118Lx80Wx123H		

FLOW CHART



OMHSP090-040705-RZ

EMF SYSTEM



OMHSP046-072996-BAR

GENERAL THEORY OF OPERATION

WATER FLOW: Connect a pressurized water source to the INLET GARDEN HOSE CONNECTION (1) and turn on the water supply. The water will flow through a WATER STRAINER (2) which has a clear inspection bowl.

The water then travels into the TRIPLEX HIGH PRESSURE PUMP (3) which has an UNLOADER (4) that bypasses the water when the trigger gun is closed. To protect the pump from heated water during this bypass stage, a HEAT DUMP VALVE (5) will open at 140°F/60°C allowing the heated water to escape. The Heat Dump Valve automatically resets when the water cools. The PRESSURE Switch (6) controls the fuel supply to the burner.

When using detergents, the solution passes through the DETERGENT STRAINER (7) located on the DETERGENT HOSE (8). The detergent solution then travels into the ADJUSTABLE LOW PRESSURE DETERGENT INJECTOR (9).

From there, the water may be allowed to flow out of the DRAIN PLUG (10) or through the HEAT EXCHANGER INLET (11) where it is heated when the burner is on. As the water exits the HEAT EXCHANGER OUTLET (12), it enters a safety system which protects the operator from danger. The safety system contains a HIGH TEMPERATURE LIMIT SWITCH (13) which senses the water temperature and shuts off the fuel supply to the burner if it gets too hot. If the unloader fails to bypass the water or the burner remains on when the trigger gun is closed, the SAFETY RELIEF (14) will relieve and allow water to exit safely.

The heated water then flows through the HIGH PRESSURE HOSE (15) and to the TRIGGER GUN ASSEMBLY (16) which allows the operator to control the water spray. When the trigger gun is open, the water flows through the ADJUSTABLE PRESSURE DUAL LANCE (17) and exits the NOZZLE (18).

FUEL FLOW: The Fuel Pump draws fuel from the FUEL TANK (19) through a replaceable FUEL FILTER/WATER SEPARATOR (20) and into the FUEL PUMP (21). Fuel exits the fuel pump, into a FUEL SOLENOID VALVE (22) which controls fuel flow to the FUEL NOZZLE (23) where it ignites and burns in the heat exchanger.

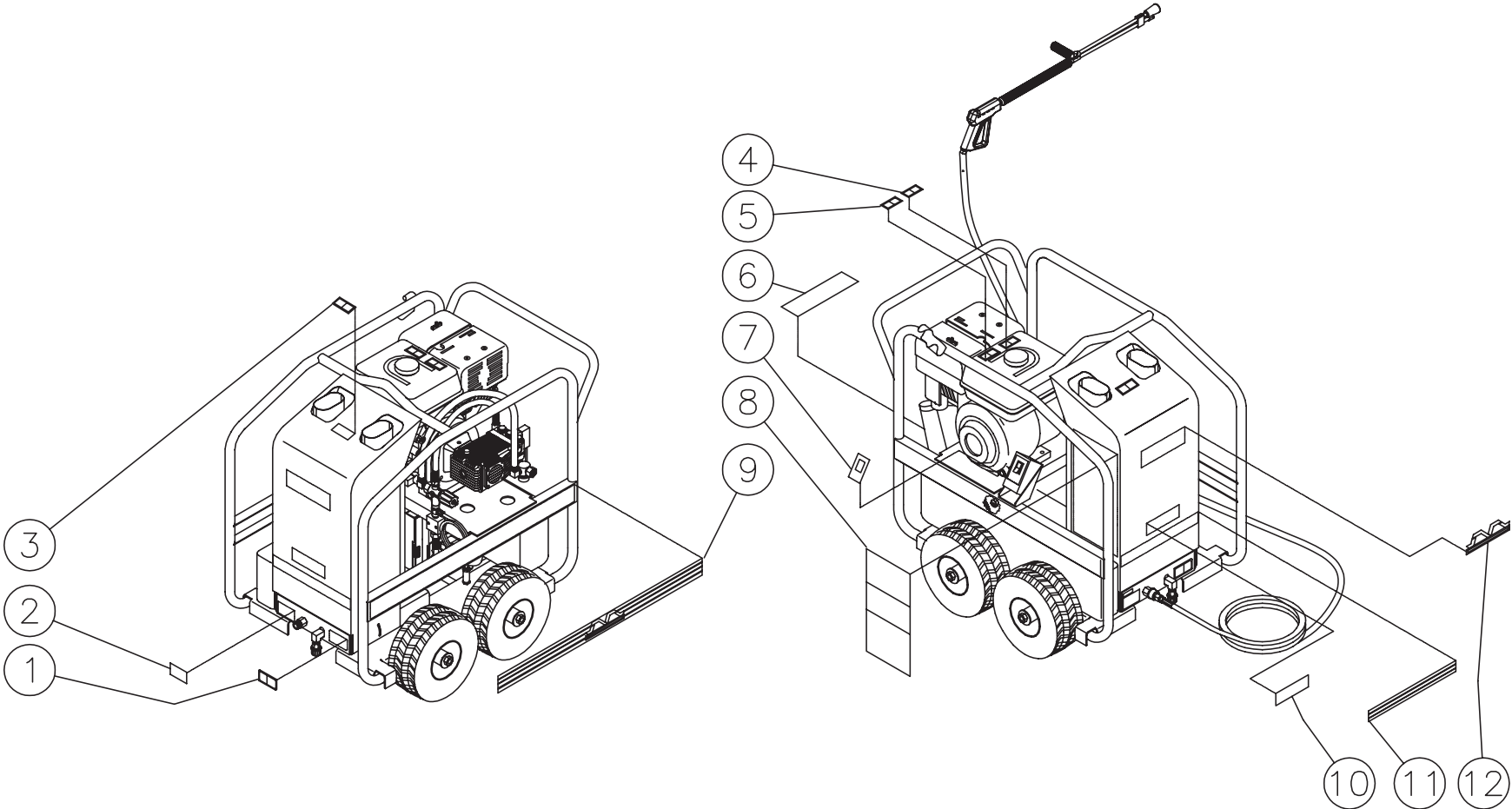
EMF SYSTEM: The patented Electro Magnetic Firing (EMF) System is an integrated system which gives all the requirements for combustion.

The BELT (1) from the power source turns the HUB (2) which has two EXTERIOR MAGNETS (3) attached. As these magnets spin past the IGNITION MODULE (4), a magnetic flux is created from which the ignition module produces a high voltage. This voltage arcs across the electrodes giving the spark that is needed for ignition.

This hub has an INTERNALLY MOUNTED MAGNET (5) which spins past a STATOR (6) that produces the voltage that controls the fuel supply to the heat exchanger. In addition to this, the hub also spins the BLOWER FAN (7) that forces the air into and through the heat exchanger.

The FUEL PUMP (8) is also connected the hub by means of a flexible coupler.

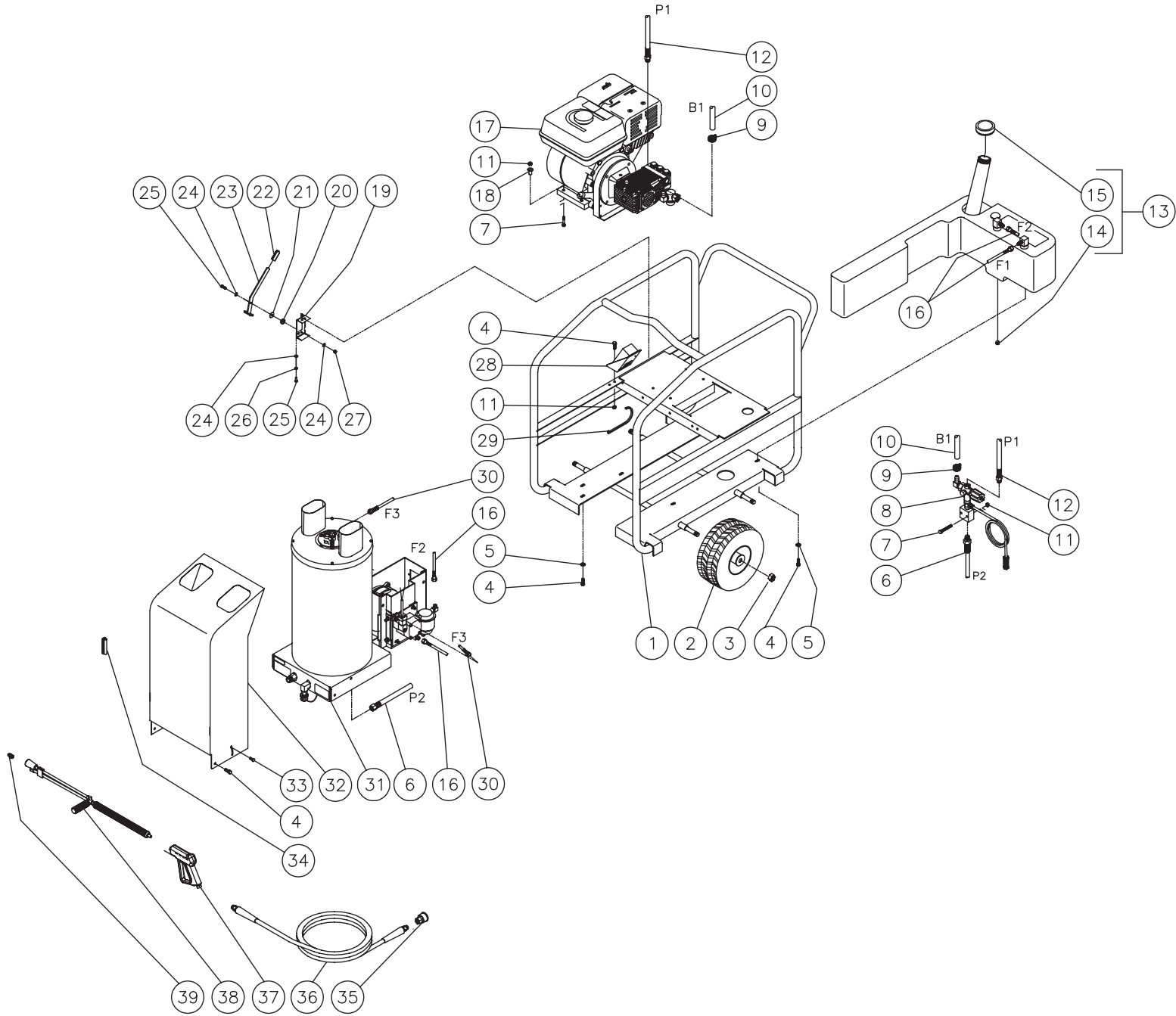
DECAL PLACEMENT



HSP-3003-3MGH/GV/GR-033005-RZ

DECAL PLACEMENT			
REF. #	DESCRIPTION	PART #	QTY.
1	Decal- Warning: Don't Modify Plumbing (E/S) (See 34-9001)	N/A Sep.	1
2	Decal- Data Plate	N/A	1
3	Decal- Warning: Hot Coil Exhaust (E/S) (See 34-9001)	N/A Sep.	1
4	Decal- Allow to Cool (E/S) (See 34-9001)	N/A Sep.	1
5	Decal- Hot Surface (E/S) (See 34-9001)	N/A Sep.	1
6	Decal- Risk of Fire (E/S) (See 34-9001)	N/A Sep.	1
7	Decal- Burner On/Off (E/S) (See 34-9001)	N/A Sep.	1
8	Decal- Warning/ Caution/ Operation (E/S) (See 34-9001)	N/A Sep.	1
9	Decal- Stripe	34-0725	2
10	Decal-White Die Cut 3000	34-0775	1
11	Decal-Stripe Logo	34-0560	1
12	Logo: Mi-T-M	62-0093	1
	Safety Decal Kit (Includes 1, 3-8)	34-9001	

FRAME ASSEMBLY

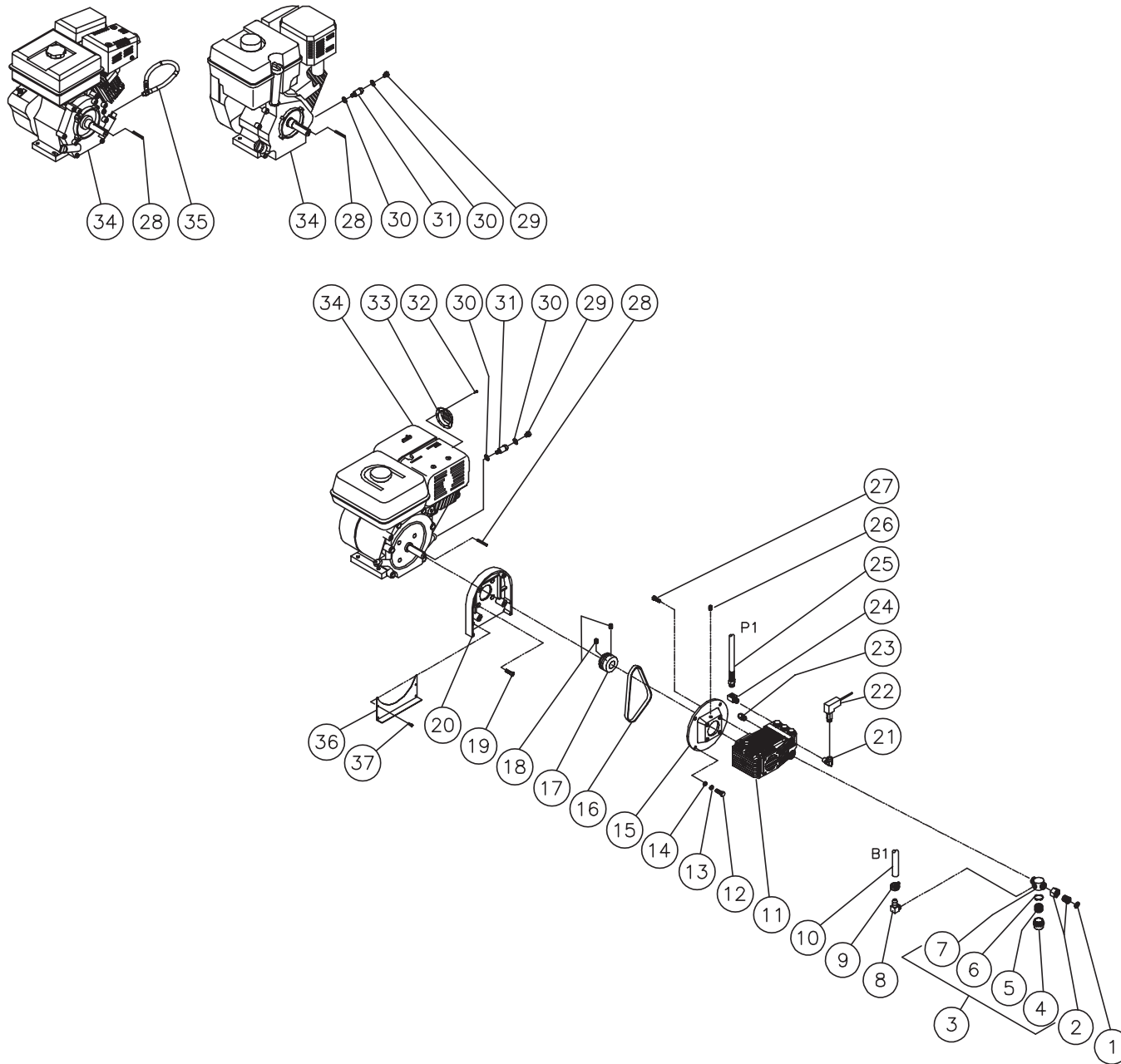


HSP133-033005-RZ

FRAME ASSEMBLY

REF. #	DESCRIPTION	PART #	QTY.	REF. #	DESCRIPTION	PART #	QTY.
1	Frame Assembly	5-0120A01	1	21	Washer	28-0057	1
2	Wheel	14-0006	4	22	Handle Grip	7-0170	1
3	Jam Nut	30-0117	4	23	Brake Handle Assembly	20-0552A01	1
4	Bolt	27-9524	12	24	Washer	28-0003	4
5	Flatwasher	28-0022	8	25	Screw	27-0068	3
6	High Pressure Hose Assembly	15-0202	1	26	Lockwasher	29-0007	2
7	Bolt	27-9529	6	27	Locknut	30-0157	1
8	Unloader/ Manifold Assembly (See Exploded Drawing)	N/A Sep.	1	28	Bracket/Electric Box Assembly (See Exploded Drawing)	N/A Sep.	1
9	Fuel Clamp	42-0011	2	29	Wire Tie	33-0022	4
10	Hose *(Two Feet Required)	15-0007	2	30	Fuel Hose Assembly	15-0165	1
11	Hex Nut	30-3023	8	31	Heat Exchanger/EMF Assembly (See Exploded Drawing)	N/A Sep.	1
12	High Pressure Hose Assembly	15-0194	1	32	Hood Assembly	850-0194	1
13	Fuel Tank Assembly (Includes 14, 15)	850-0248	1	33	Hand Knob	62-0057	1
14	Countersunk Hex Head Plug	23-0296	1	34	Trim Lock *(One Foot Required)	33-0129	1
15	Fuel Cap	12-0033	1	35	Screw Connect	17-0035	1
16	Fuel Hose	15-0147	2	36	Hose Assembly	15-0146	1
17	Engine/Pump Assembly (See Exploded Drawing)	N/A Sep.	1	37	Gun	16-0001	1
18	Shim	33-0169	4	38	Dual Lance Assembly	16-0416	1
19	Bracket	20-0737A01	1	39	Nozzle- 1503.5	18-0254	1
20	Grommet	33-0366	1	*Must Order in One Foot Lengths			

ENGINE / PUMP ASSEMBLY

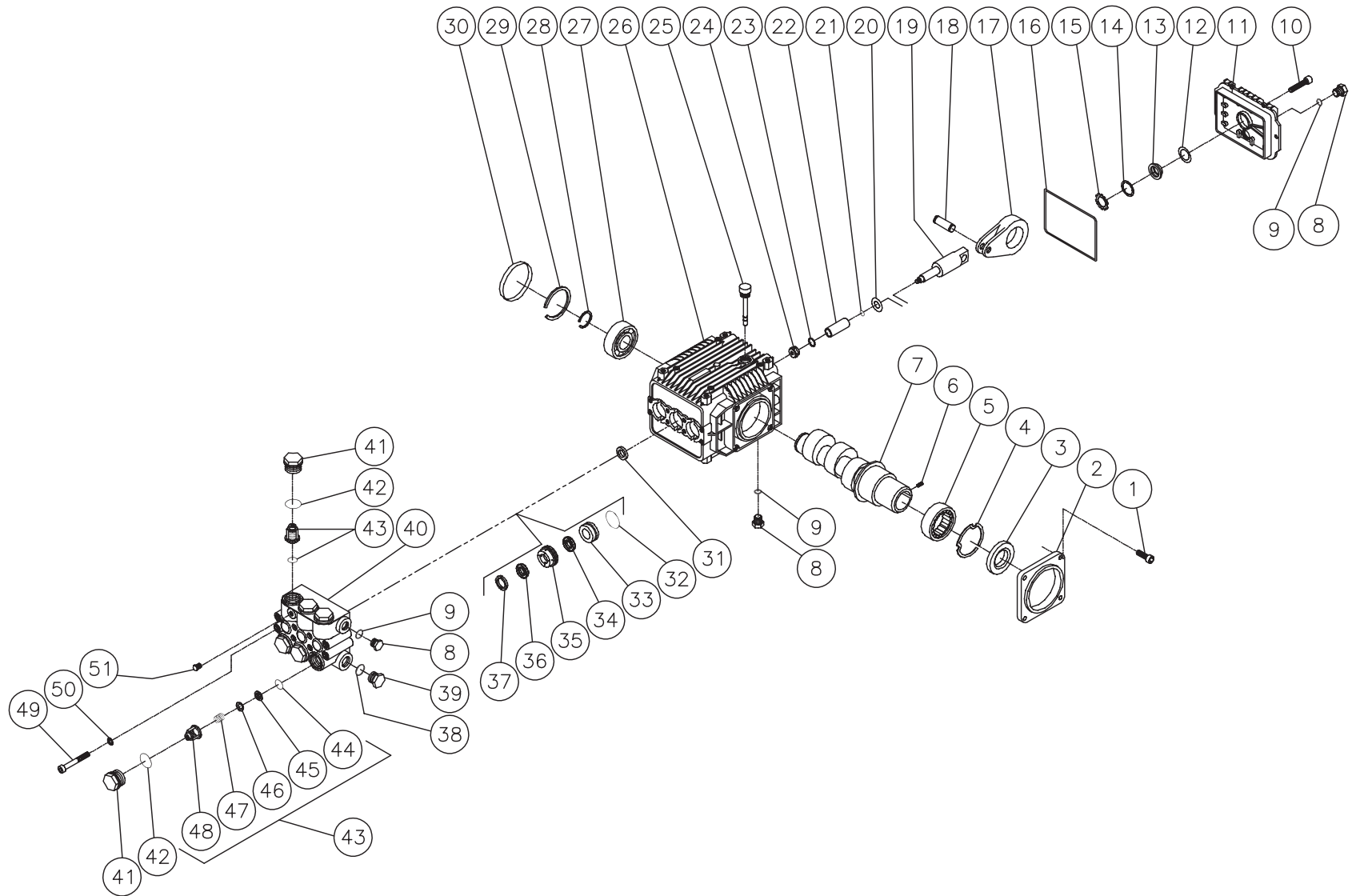


HSP134-071306-RZ

ENGINE/ PUMP ASSEMBLY							
REF. #	DESCRIPTION	PART #	QTY.	REF. #	DESCRIPTION	PART #	QTY.
1	Hose Gasket	26-0001	1	22	Pressure Switch	22-0171	1
2	Hose Swivel	23-0095	1	23	Thermal Relief Valve	22-0005	1
3	Strainer Complete (Includes 4-7)	19-0096	1	24	Elbow	23-0034	1
4	Strainer Bowl	19-0103	1	25	High Pressure Hose	15-0194	1
5	Screen	19-0104	1	26	Set Screw	27-8886	1
6	Strainer Gasket	25-0056	1	27	Bolt	27-8434	4
7	Strainer Body	19-0105	1	28	Key (HSP-3003-3MGH/GR)	43-0088	1
8	Elbow	23-0119	1	-	Key (HSP-3003-3MGV)	43-0089	1
9	Hose Clamp	42-0011	1	29	Oil Drain Plug	N/A	1
10	Hose *(Two Feet Required)	15-0007	2	30	Washer (HSP-3003-3MGH)	28-0605	2
11	High Pressure Pump	3-0241	1	-	Washer (HSP-3003-3MGV)	28-0606	2
12	Bolt	27-0218	4	31	Oil Drain Port (HSP-3003-3MGH)	24-0143	1
13	Lockwasher	29-0010	4	-	Oil Drain Port (HSP-3003-3MGV)	24-0142	1
14	Flatwasher	28-0006	4	32	Screw w/ 1-0065 (HSP-3003-3MGH)	N/A Sep.	3
15	Flange/ Pump Adapter	38-0051	1	33	Exhaust Deflector w/ 1-0065 (HSP-3003-3MGH)	N/A Sep.	1
16	Belt	11-0037	1	34	Engine- 9.0 H.P. Honda (HSP-3003-3MGH)	1-0162	1
17	Sheave	10-0077	1	-	Engine- 9.0 H.P. Vanguard (HSP-3003-3MGV)	1-0070	1
18	Set Screw	27-8895	2	-	Engine- 9.0 H.P. Robin (HSP-3003-3MGR)	1-0134	1
19	Bolt	27-0418	4	35	Oil Drain Hose (HSP-3003-3MGR Only)	70-0380	1
20	Adaptor Plate	38-0049	1	36	Beltguard	20-0384A01	1
21	Plug	24-0004	1	37	Bolt	27-9526	4

*Must Order in One Foot Lengths

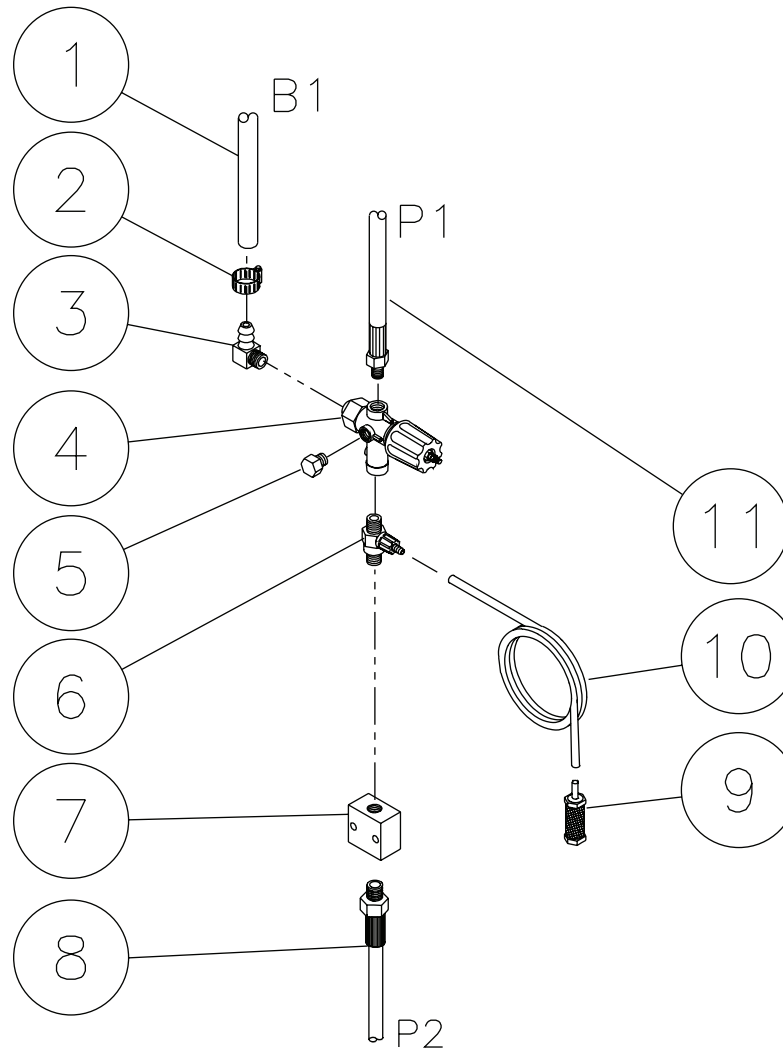
PUMP ASSEMBLY (3-0241)



3-0241-062503-BAR

PUMP ASSEMBLY (3-0241)							
REF. #	DESCRIPTION	PART #	QTY.	REF. #	DESCRIPTION	PART #	QTY.
1	Bolt	27-8432	4	28	Retaining Ring	46-0732	1
2	Flange	46-0713	1	29	Retaining Ring	46-0676	1
3	Oil Seal	26-0192	1	30	Bearing Cap	46-0725	1
4	Retaining Ring	46-0667	1	31	Oil Seal	26-0193	3
5	Needle Bearing	48-0059	1	32	O-ring	25-0399	3
6	Set Screw	27-8886	1	33	Low Pressure Retainer	46-0726	3
7	Crankshaft	46-0717	1	34	Low Pressure Seal (See 70-0181)	N/A Sep.	3
8	Plug	39-0086	3	35	Packing Retainer	46-0728	3
9	O-ring	25-0325	3	36	V-Packing (See 70-0181)	N/A Sep.	3
10	Bolt	27-8888	6	37	Support Ring (See 70-0182)	N/A Sep.	3
11	Crankcase Cover	46-0719	1	38	O-ring	25-0372	1
12	O-ring	25-0370	1	39	Plug	39-0088	1
13	Oil Sight Glass	46-0670	1	40	Manifold	46-0730	1
14	Reflector	46-0824	1	41	Valve Cap	39-0087	6
15	Retainer	46-0671	1	42	O-ring	25-0160	6
16	O-ring	25-0398	1	43	Single Valve Assembly (Inc. 44-48) (See 70-0161)	N/A Sep.	6
17	Connecting Rod	46-0720	3	44	O-ring	25-0386	6
18	Piston Pin	46-0721	3	45	Valve Seat (See 70-0161)	N/A Sep.	6
19	Plunger Rod	46-0722	3	46	Valve Plate (See 70-0161)	N/A Sep.	6
20	Washer	28-1027	3	47	Valve Spring (See 70-0161)	N/A Sep.	6
21	O-ring	25-0371	6	48	Valve Cage (See 70-0161)	N/A Sep.	6
22	Piston	46-0723	3	49	Head Bolt	27-8875	8
23	Washer	26-0187	3	50	Lockwasher	29-0153	8
24	Piston Nut	30-6016	3	51	Plug	39-0097	1
25	Oil Dipstick	39-0090	1		High Pressure Seal Kit (Inc. 3 each 32, 34, 36)	70-0181	
26	Crankcase	46-0724	1		Support Ring Kit (Includes 3 each 37)	70-0182	
27	Bearing	48-0063	1		Valve Kit (Includes 6 each 44-48)	70-0161	

UNLOADER/MANIFOLD ASSEMBLY

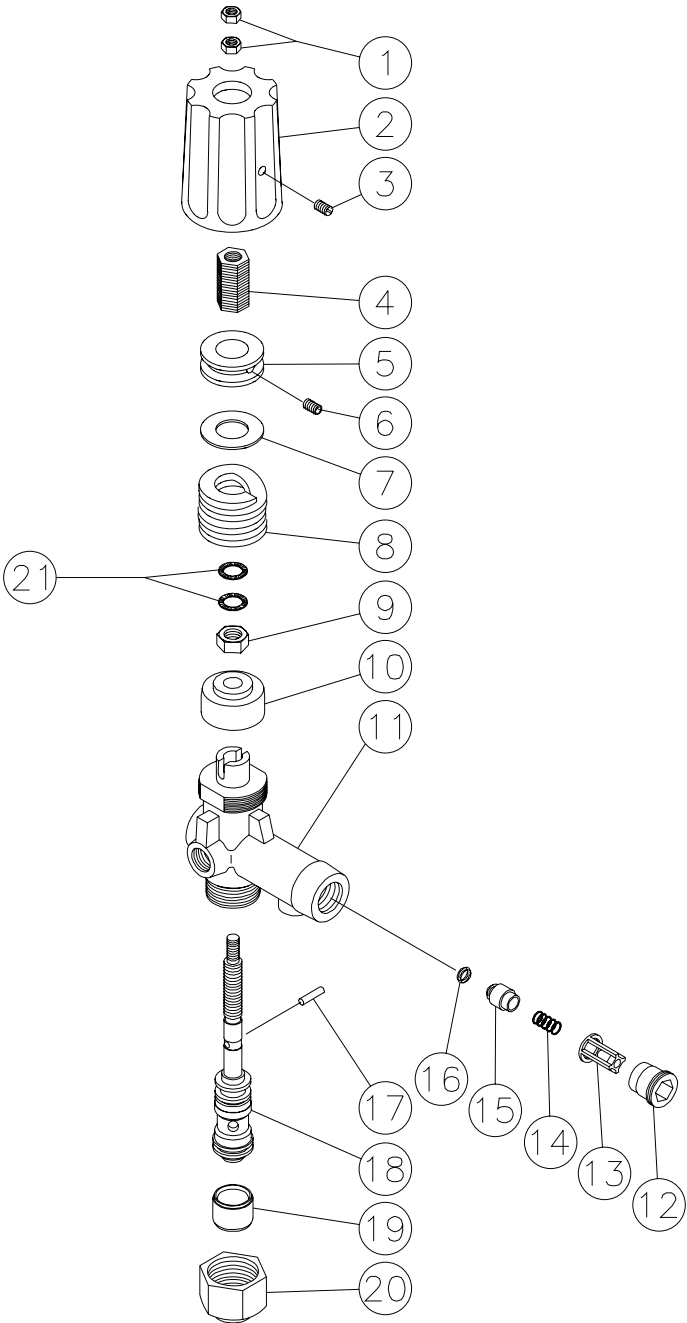


OMHSP080-120498-BAR

OMHSP080-120498-BAR

UNLOADER/MANIFOLD ASSEMBLY			
REF. #	DESCRIPTION	PART #	QTY.
1	Hose *(Two Feet Required)	15-0007	1
2	Hose Clamp	42-0011	1
3	Elbow	23-0119	1
4	Unloader Assembly	850-0252	1
5	Plug	23-0238	1
6	Detergent Injector	50-0052	1
7	Manifold Block	51-0026	1
8	High Pressure Hose Assembly	15-0202	1
9	Detergent Strainer	19-0050	1
10	Detergent Hose *(Six Feet Required)	15-0021	1
11	High Pressure Hose Assembly	15-0194	1
*Must Order in One Foot Lengths			

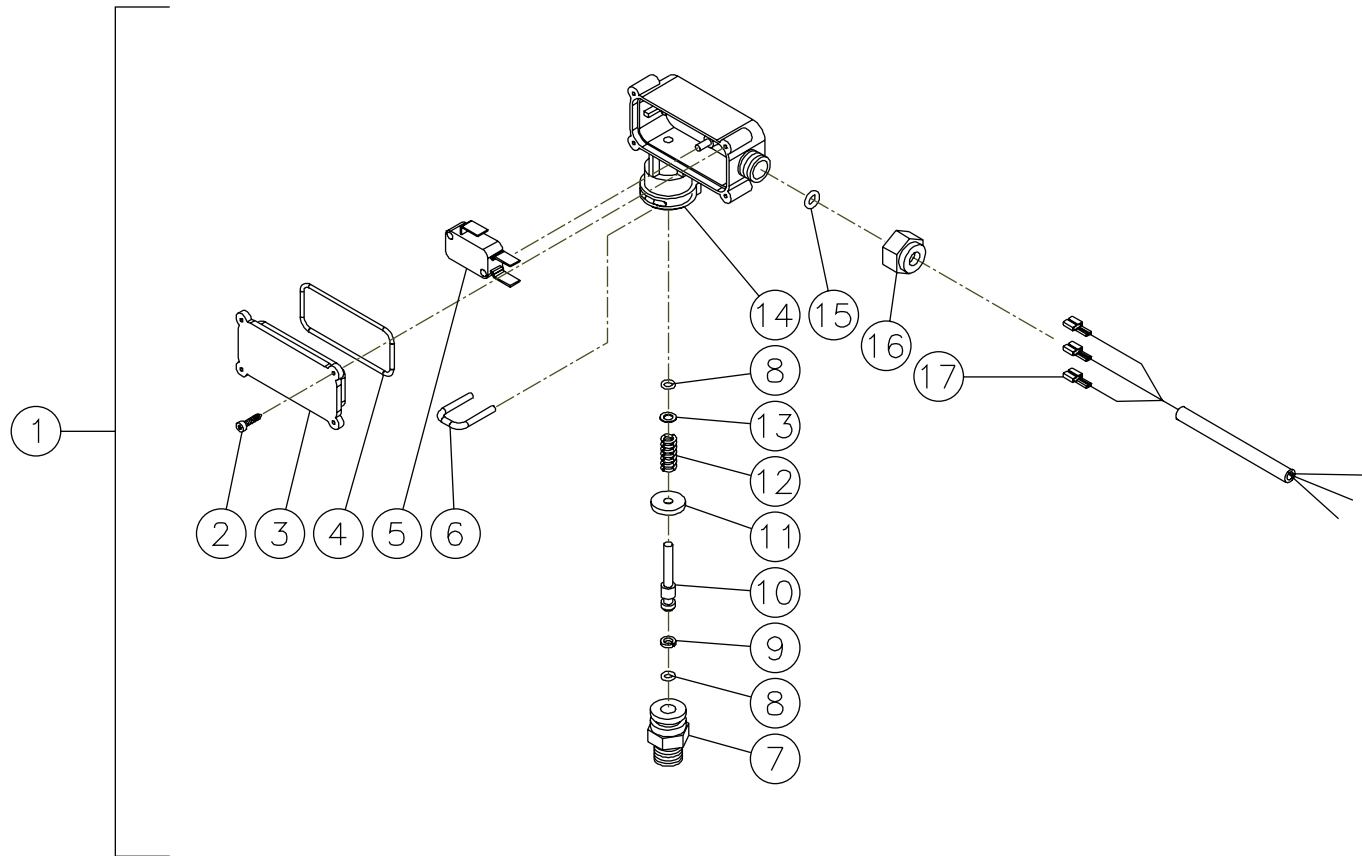
UNLOADER (850-0252)



OMGEN163-101298-BAR

UNLOADER (850-0252)			
REF. #	DESCRIPTION	PART #	QTY.
1	Hex Nut	8-0362	2
2	Cover	7-0098	1
3	Set Screw	27-4280	1
4	Adjusting Insert- Brass	8-0363	1
5	Adjustment Nut	8-0364	1
6	Set Screw	8-0365	1
7	Glide Ring	8-0366	1
8	Spring	49-0104	1
9	Hex Nut	8-0367	1
10	Bushing	8-0368	1
11	Unloader Body	8-0369	1
12	Retainer	8-0269	1
13	Valve Housing	8-0104	1
14	Spring	49-0023	1
15	Valve	8-0105	1
16	O-ring	25-0036	1
17	Cylinder Pin	8-0372	1
18	Piston Repair Kit	70-0243	1
19	Spacer	8-0371	1
20	Stop Nut	8-0157	1
21	Washer	29-0154	2
	Check Valve Repair Kit (Includes 13-16)	70-0244	
	Unloader Complete	850-0252	

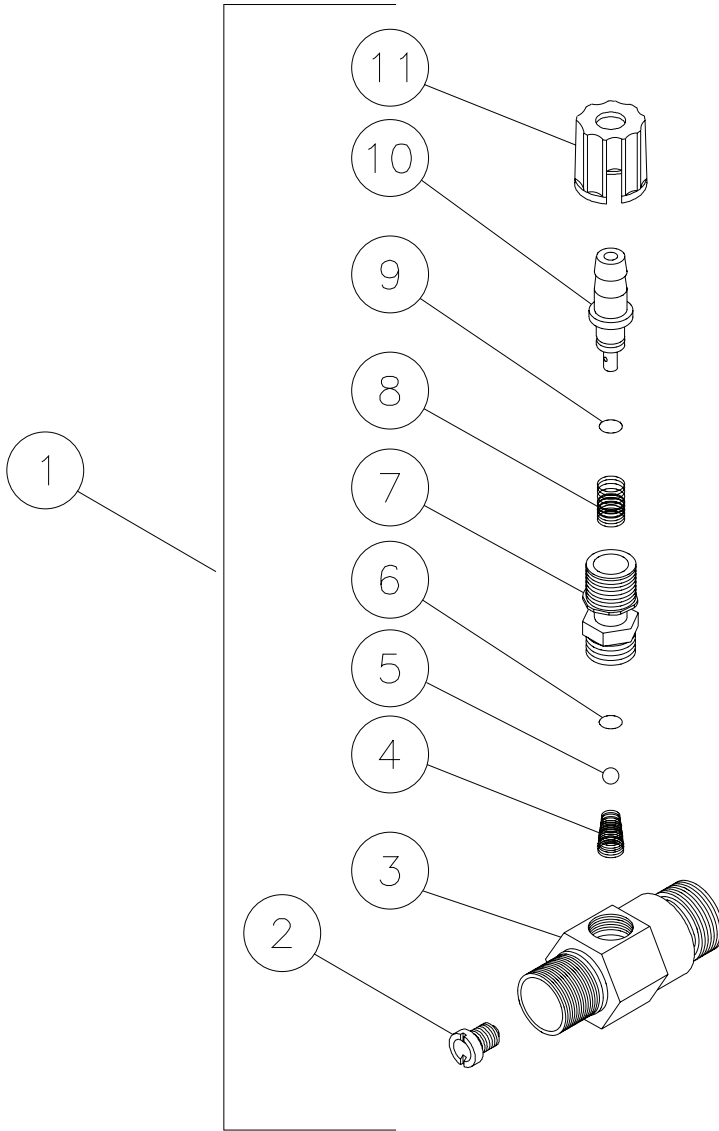
PRESSURE SWITCH (22-0171)



22-0171 & 22-0243-120799-BAR

PRESSURE SWITCH (22-0171)			
REF. #	DESCRIPTION	PART #	QTY.
1	Pressure Switch	22-0171	1
2	Screw	N/A	4
3	Cover	N/A	1
4	O-ring (See 70-0306)	N/A Sep.	1
5	Micro Switch	N/A	1
6	Retainer Clip	N/A	1
7	Body	N/A	1
8	O-ring (See 70-0306)	N/A Sep.	2
9	Back-up Ring (See 70-0306)	N/A Sep.	1
10	Piston	N/A	1
11	Washer	N/A	1
12	Spring	49-0144	1
13	Washer	N/A	1
14	Plastic Housing	N/A	1
15	O-ring (See 70-0306)	N/A Sep.	1
16	Nut	N/A	1
17	Wire Assembly	N/A	1
	O-ring Repair Kit (Inc. 4, 8-9, 15)	70-0306	

DETERGENT INJECTOR (50-0052)

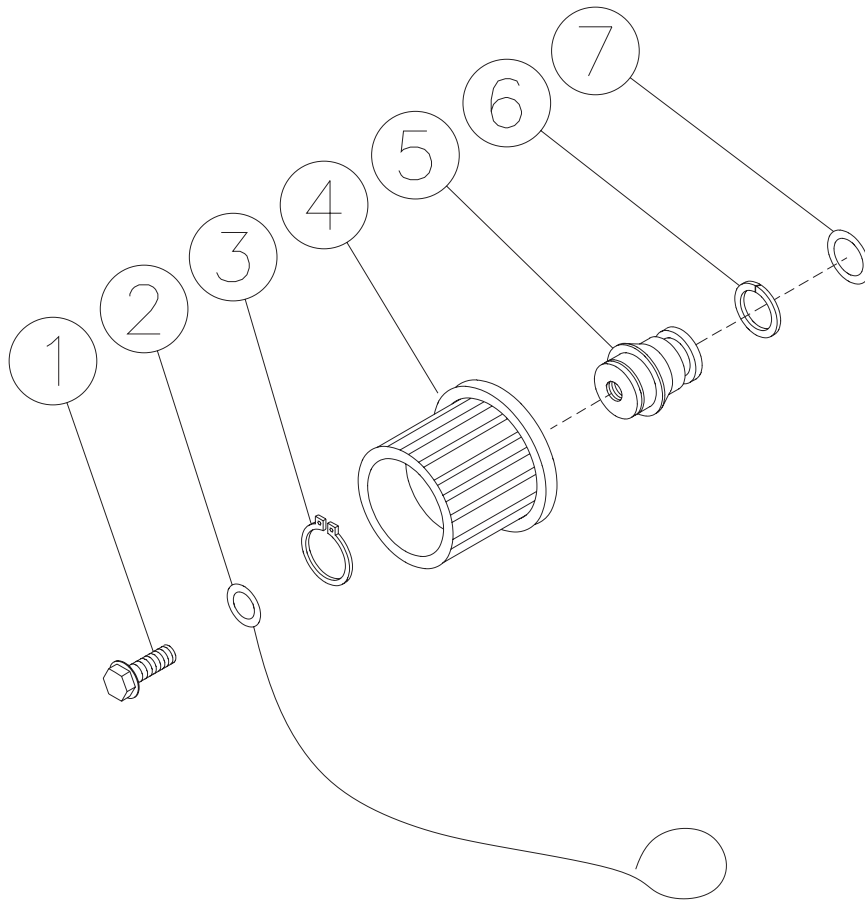


50-0052-072701-RD

DETERGENT INJECTOR (50-0052)			
REF. #	DESCRIPTION	PART #	QTY.
1	Detergent Injector (Inc. 2-11)	50-0052	1
2	Orifice (2.1mm)	50-0057	1
3	Injector Body	N/A	1
4	Spring (See 852-0056)	N/A Sep.	1
5	Ball (See 852-0056)	N/A Sep.	1
6	O-ring (See 852-0056)	N/A Sep.	1
7	Piston Retainer	50-0156	1
8	Spring	49-0056	1
9	O-ring (See 852-0056)	N/A Sep.	1
10	Adjustable Shutter Barb	50-0157	1
11	Adjustment Knob	50-0158	1
	Injector Repair Kit (Includes 4-6, 8)	852-0056	

50-0052-072701-RD

COIL DRAIN PLUG (850-0218)

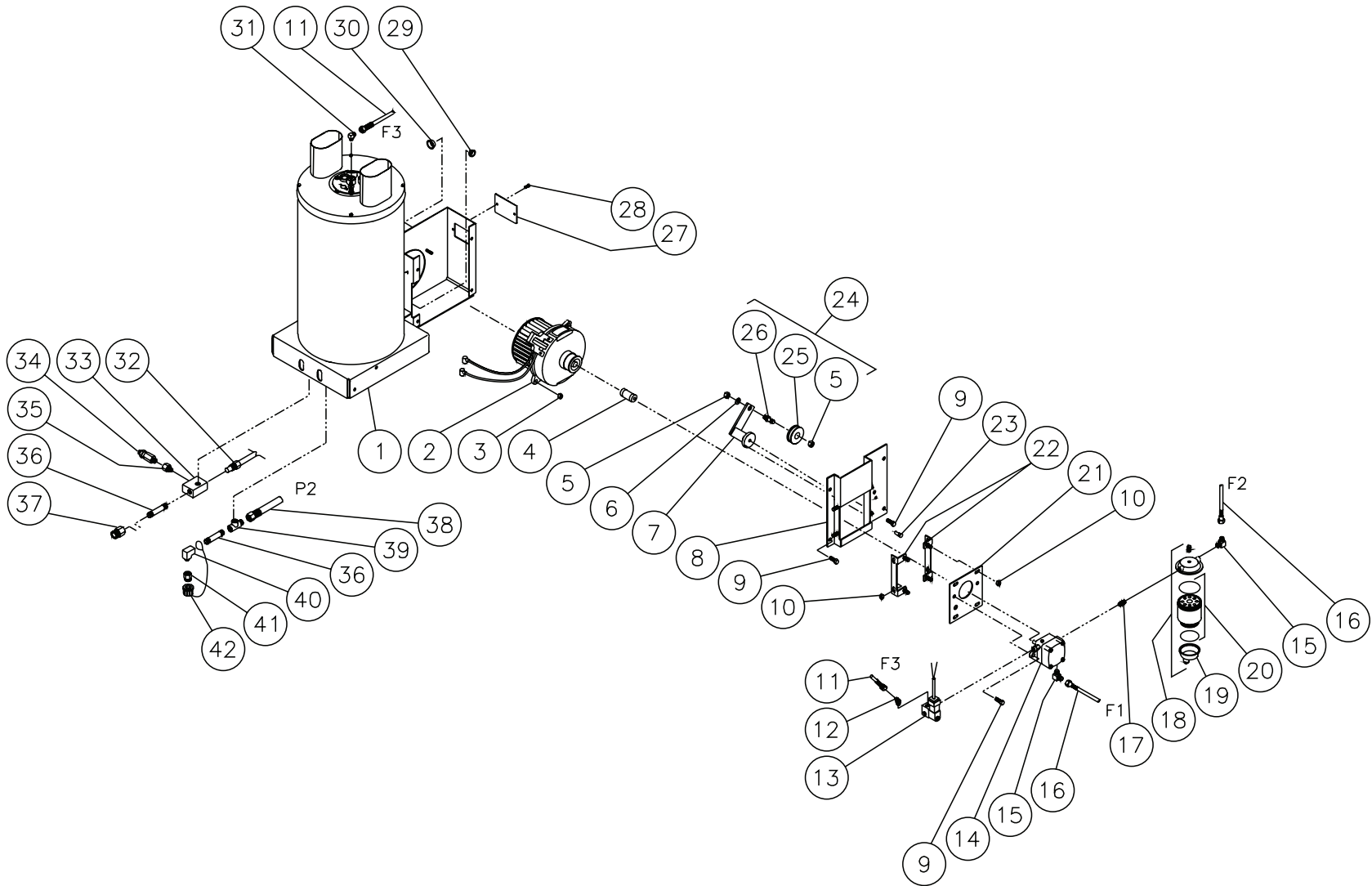


850-0218-041597-BAR

COIL DRAIN PLUG (850-0218)			
REF. #	DESCRIPTION	PART #	QTY.
1	Bolt	27-9526	1
2	Retaining Cable	33-0260	1
3	Snap Ring	33-0261	1
4	Hand Wheel	16-0239	1
5	Plug	24-0147	1
6	Back-up Ring	25-0424	1
7	O-ring	25-0423	1

850-0218-041597-BAR

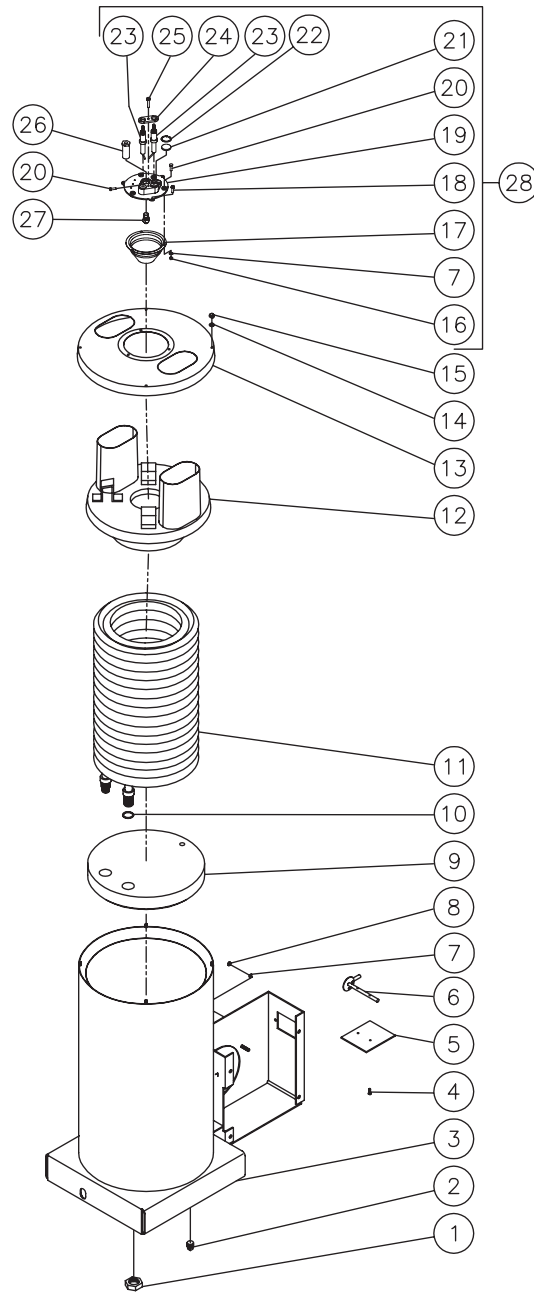
HEAT EXCHANGER/EMF SYSTEM



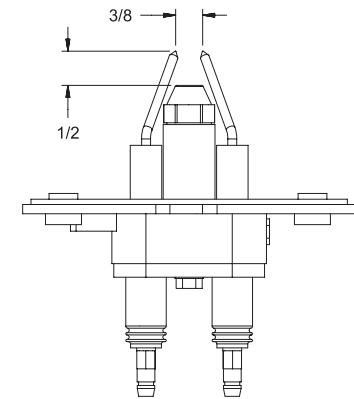
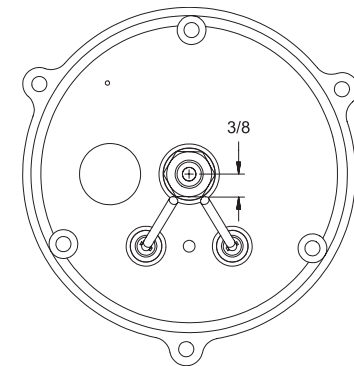
OMHSP083-080103-BAR

HEAT EXCHANGER/EMF SYSTEM							
REF. #	DESCRIPTION	PART #	QTY.	REF. #	DESCRIPTION	PART #	QTY.
1	Boiler Assembly Complete	850-0341	1	22	Bracket	20-0360A01	2
2	EMF Assembly	850-0257	1	23	Pin	33-0211	1
3	Hex Nut	30-3022	2	24	Tensioner Sheave Shaft Assembly (Inc. 5, 25, 26)	850-0166	1
4	Fuel Pump Coupler	33-0225	1	25	Sheave Assembly	850-0177	1
5	Nut	30-0159	2	26	Shaft	33-0212	1
6	Flatwasher	28-0022	1	27	Access Panel	20-0386A01	1
7	Tensioner Base	10-0071	1	28	Bolt	27-9526	2
8	Fuel Pump Bracket	20-0381A01	1	29	Grommet	32-0426	1
9	Bolt	27-9524	7	30	Grommet	32-0427	1
10	Hex Nut	30-3023	8	31	Elbow	23-0287	1
11	Fuel Hose Assembly	15-0165	1	32	High Limit Switch	32-0423	1
12	Elbow	23-0288	1	33	Outlet Connector Block	24-0138	1
13	Fuel Solenoid- 12 Volt	44-0100	1	34	Pressure Relief Valve	22-0273	1
14	Fuel Pump	3-0020	1	35	Adapter	23-0369	1
15	Elbow	23-0237	2	36	Nipple	24-0165	2
16	Fuel Hose	15-0147	2	37	Hex Reducer	23-0197	1
17	Hex Nipple	24-0145	1	38	High Pressure Hose Assembly	15-0202	1
18	Filter Fuel Water Seperator	19-0070	1	39	Street Tee	23-0058	1
19	Fuel Water Seperator Replacement Bowl	19-0071	1	40	Elbow	23-0034	1
20	Fuel Water Seperator Replacement Filter	19-0053	1	41	Adapter	23-0279	1
21	Plate	20-0363A01	1	42	Drain Plug Assembly	850-0218	1

BOILER ASSEMBLY (850-0266) AFTER SERIAL #15048210



ELECTRODE GAP SETTINGS



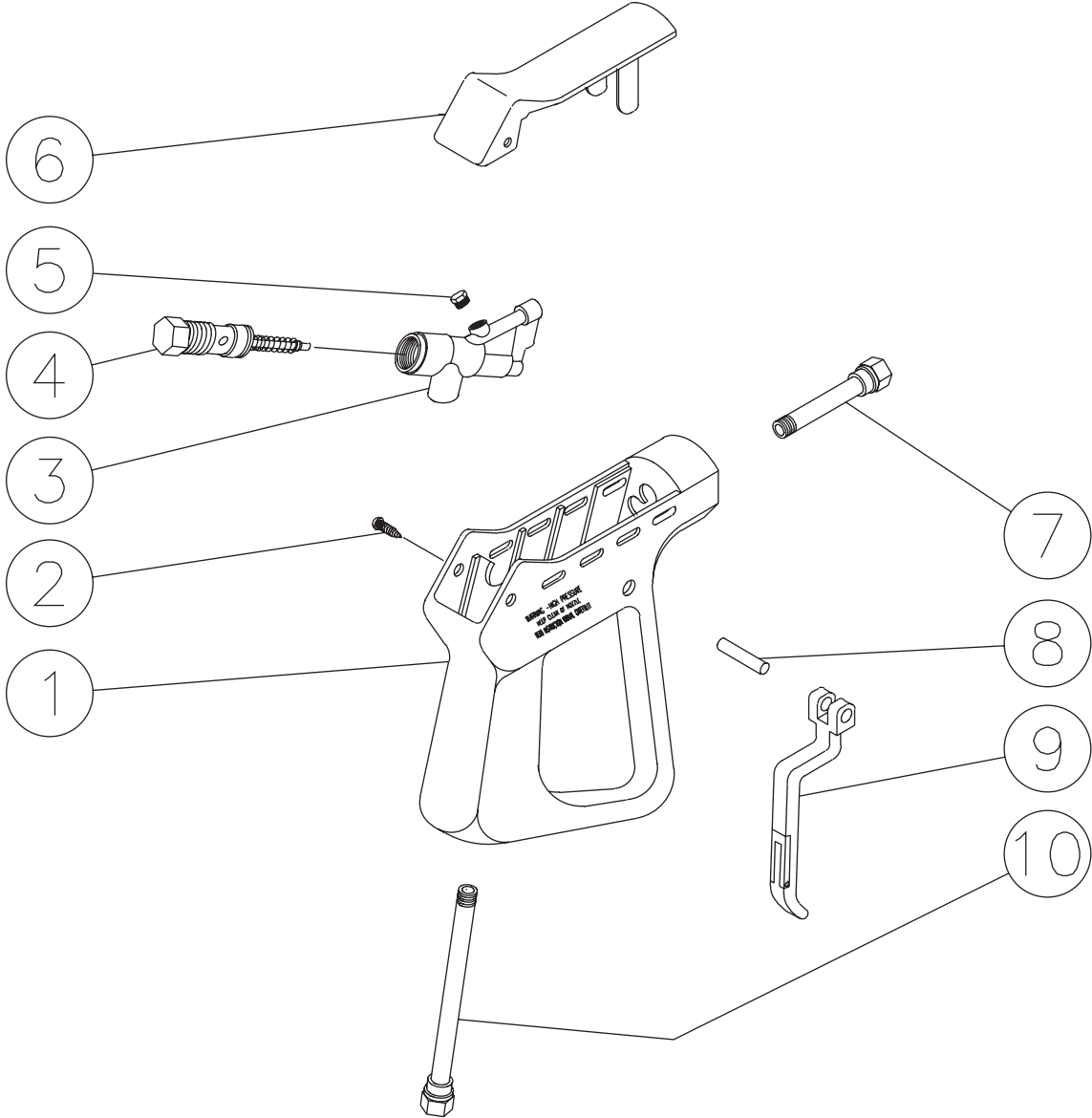
850-0226-100709-CH

ELECTRODE PLATE ASSY 062408-CH

BOILER ASSEMBLY (850-0226) (AFTER SERIAL #15048210)

REF. #	DESCRIPTION	PART #	QTY.	REF. #	DESCRIPTION	PART #	QTY.
1	Hex Nut	30-0121	2	16	Nut	30-6001	3
2	Plug	24-0034	1	17	Cone	20-0373	1
3	Heat Exchanger Outer Wrap- Black	20-0376A01	1	18	Fuel Nozzle	27-9526	3
4	Bolt	27-8879	6	19	Electrode Plate	38-0065	1
5	Air Diverter Plate- Black	20-0378A01	1	20	Bolt	27-8878	4
6	Air Diverter Stem Assembly- Black	20-0377A01	1	21	Sight Glass	33-0252	1
7	Lockwasher	28-1009	4	22	Snap Ring	33-0254	1
8	Hex Nut	30-0137	1	23	Electrode	32-0987	2
9	Bottom Insulation	33-0250	1	24	Electrode Mounting Clip- Black	20-1094A01	1
10	Washer	28-0521	2	25	Bolt	27-8807	1
11	Heat Exchanger Coil Assembly	66-0011	1	26	Nozzle Holder	23-0292	1
12	Inner Pan Assembly	20-0372	1	27	Nozzle (3004, 3504)	18-0308	1
13	Top Pan Assembly- Black	20-0371A01	1	-	Nozzle (3003)	18-0368	1
14	Lockwasher	28-1028	4	28	Electrode Assembly Kit (Inc. 7, 16-25)	850-0351	1
15	Acorn Nut	30-6002	4				

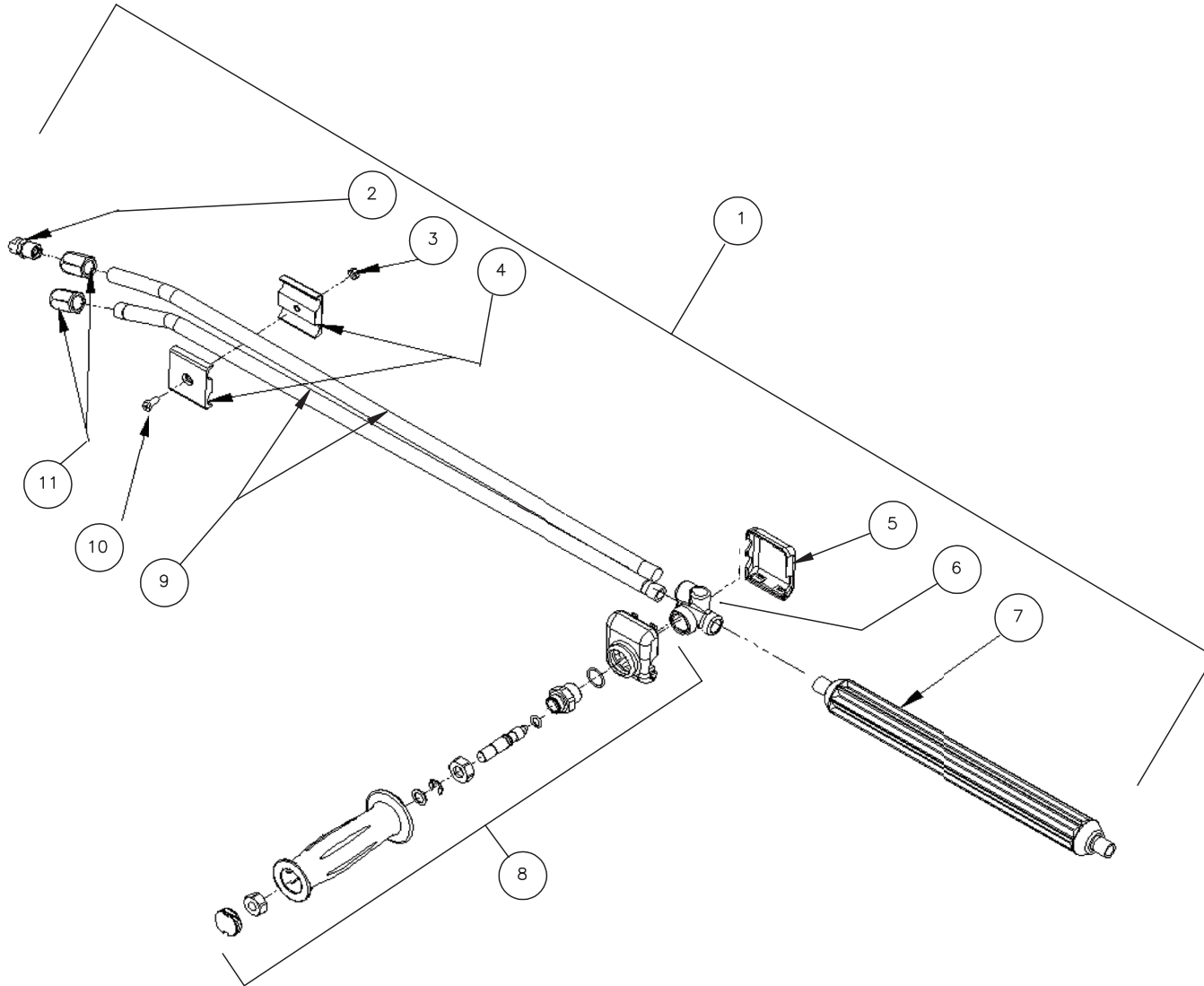
GUN ASSEMBLY (16-0001)



16-0001-110399-RD

GUN ASSEMBLY (16-0001)			
REF. #	DESCRIPTION	PART #	QTY.
1	Plastic Housing	16-0008	1
2	Screw	27-3230	2
3	Brass Housing	16-0012	1
4	Gun Repair Kit	70-0055	1
5	Brass Plug	39-0024	1
6	Plastic Cover	16-0009	1
7	Pipe Assembly	16-0013	1
8	Trigger Pin	16-0063	1
9	Trigger/Safety Lock-off	16-0010	1
10	Pipe Assembly- Inlet	16-0016	1
	Complete Gun Assembly	16-0001	1

DUAL LANCE ASSEMBLY (16-0416)

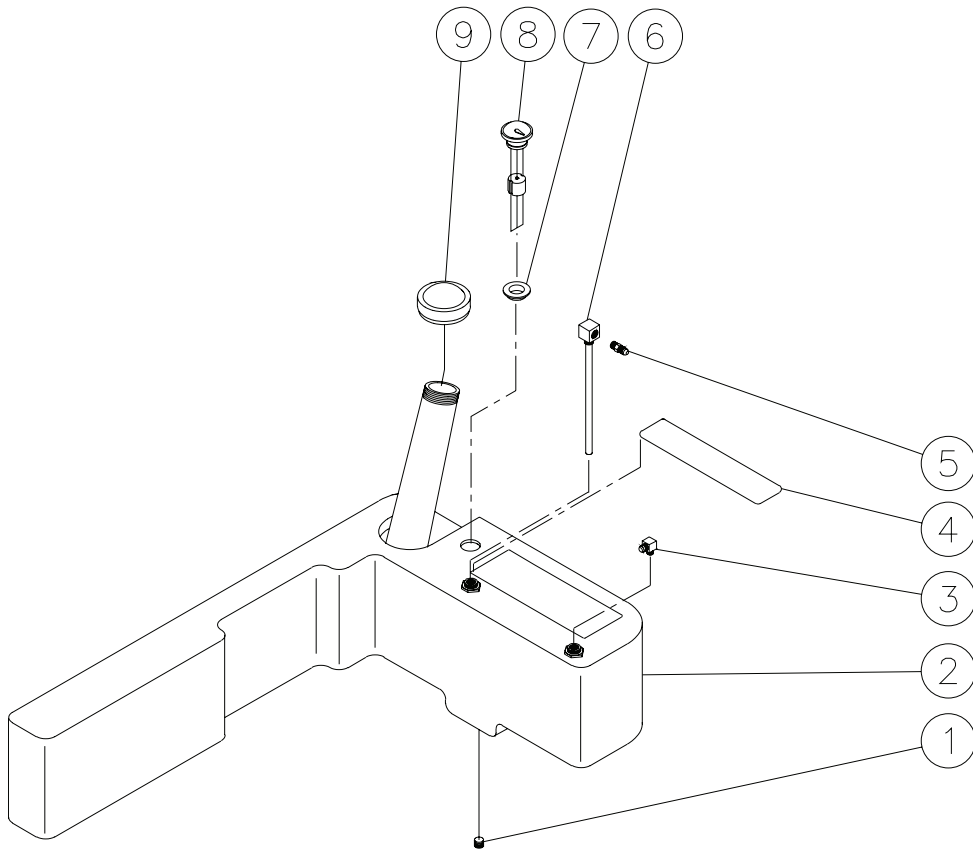


16-0416_16-0417-102405-RZ

16-0416-102405-RZ

DUAL LANCE ASSEMBLY (16-0416)			
REF. #	DESCRIPTION	PART #	QTY.
1	Dual Lance Assembly - 36" (Inc. 2-11)	16-0416	1
2	Detergent Nozzle	18-0110	1
3	Nut	30-6001	1
4	Clamp	16-0420	2
5	Lower Valve Cover (See 16-0416)	N/A Sep.	1
6	Housing (See 16-0416)	N/A Sep.	1
7	Lance	16-0419	1
8	Handle Repair Kit	70-0419	1
9	Lance (See 16-0416)	N/A Sep.	2
10	Screw	27-8196	1
11	Nozzle Adapter	24-0280	2

FUEL TANK (850-0248)

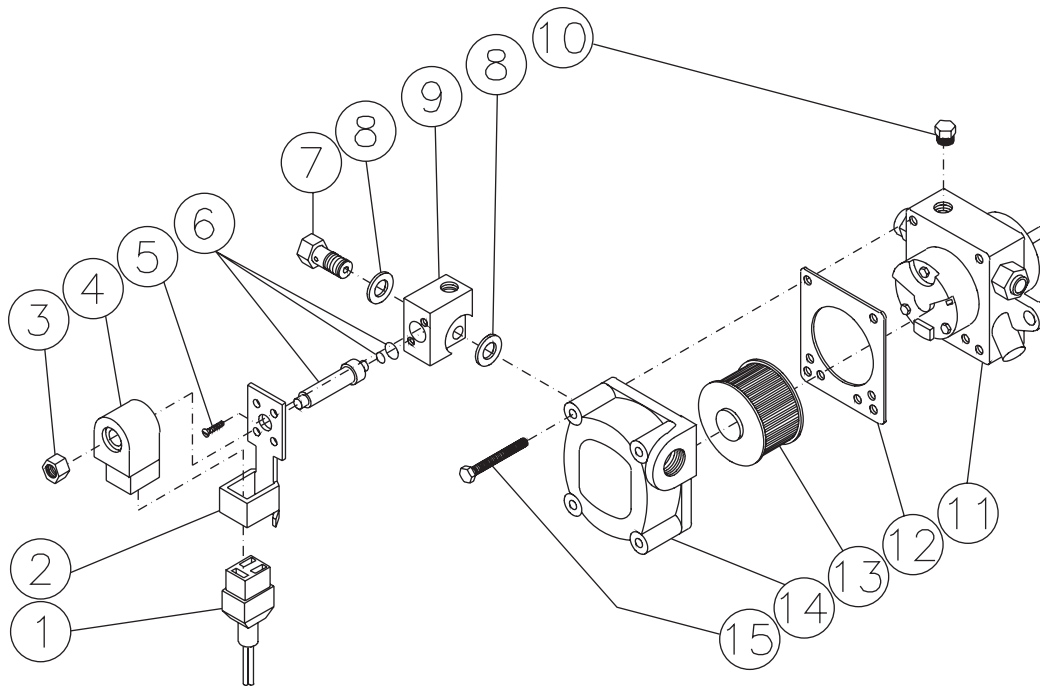


850-0193-850-0248-012098-BAR

FUEL TANK (850-0248)			
REF. #	DESCRIPTION	PART #	QTY.
1	Plug	23-0296	1
2	Fuel Tank (See 850-0248)	N/A Sep.	1
3	Elbow	23-0237	1
4	Decal-Warning: Risk of Fire (E/S) (See 34-9001)	N/A Sep.	1
5	Flare	23-0247	1
6	Fuel Pick-up Line	33-0270	1
7	Bushing	33-0255	1
8	Fuel Indicator Gauge	22-0215	1
9	Fuel Cap-Vented	12-0033	1
	Safety Decal Kit (Includes 4)	34-9001	

850-0193-012098-BAR

FUEL PUMP (3-0020) & FUEL SOLENOID (44-0100)

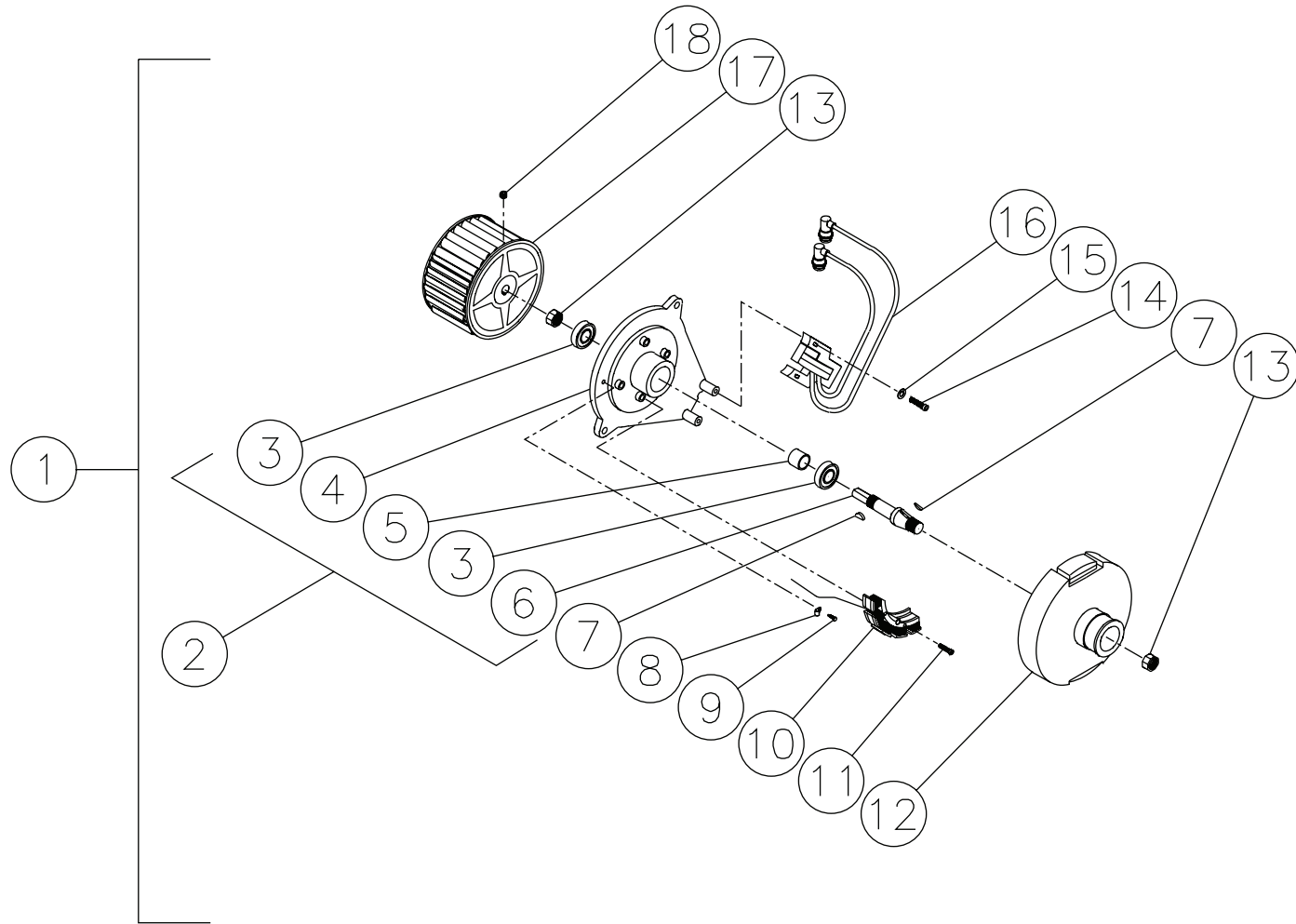


OMHSP049-080902-BAR

FUEL PUMP (3-0020) & FUEL SOLENOID (44-0100)			
REF. #	DESCRIPTION	PART #	QTY.
1	Cord-Din Connector	32-0443	1
2	Base Plate	46-1014	1
3	Nut	46-1016	1
4	Solenoid Coil- 12 Volt	46-1015	1
5	Screw	N/A	2
6	Piston	46-1012	1
7	Bolt	46-1009	1
8	Washer	26-0150	2
9	Solenoid Body	N/A	1
10	Plug	24-0082	1
11	Fuel Pump Body	N/A	1
12	Cover Gasket	26-0109	1
13	Fuel Oil Strainer	19-0034	1
14	Fuel Pump Cover	46-1005	1
15	Fuel Pump Cover Screw	46-1006	4

OMHSP049-080902BAR

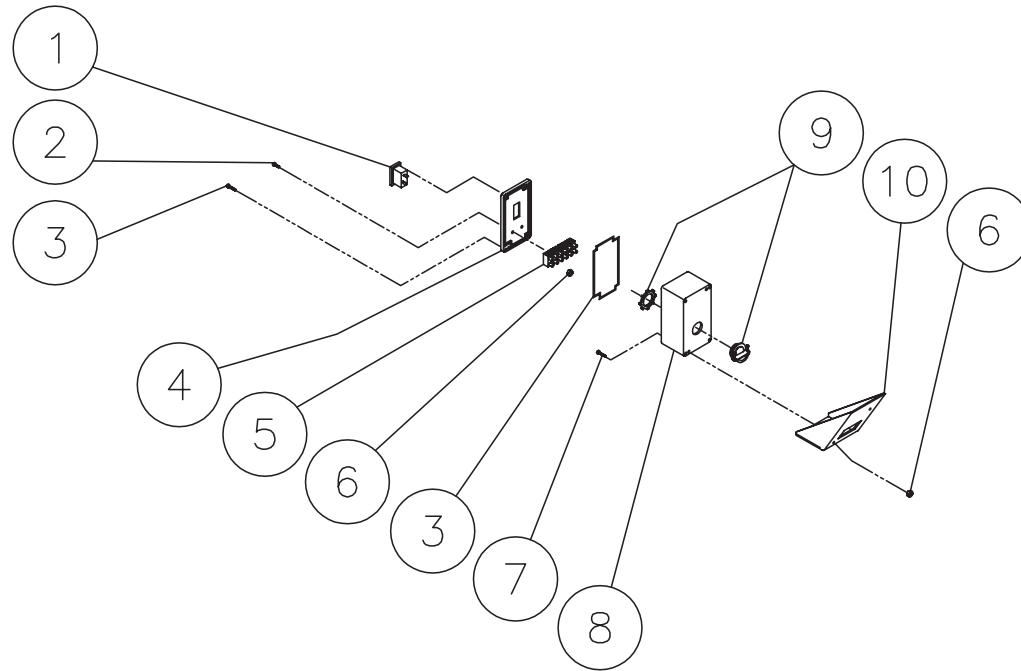
EMF SYSTEM (850-0257)



OMHSP072-113099-BAR

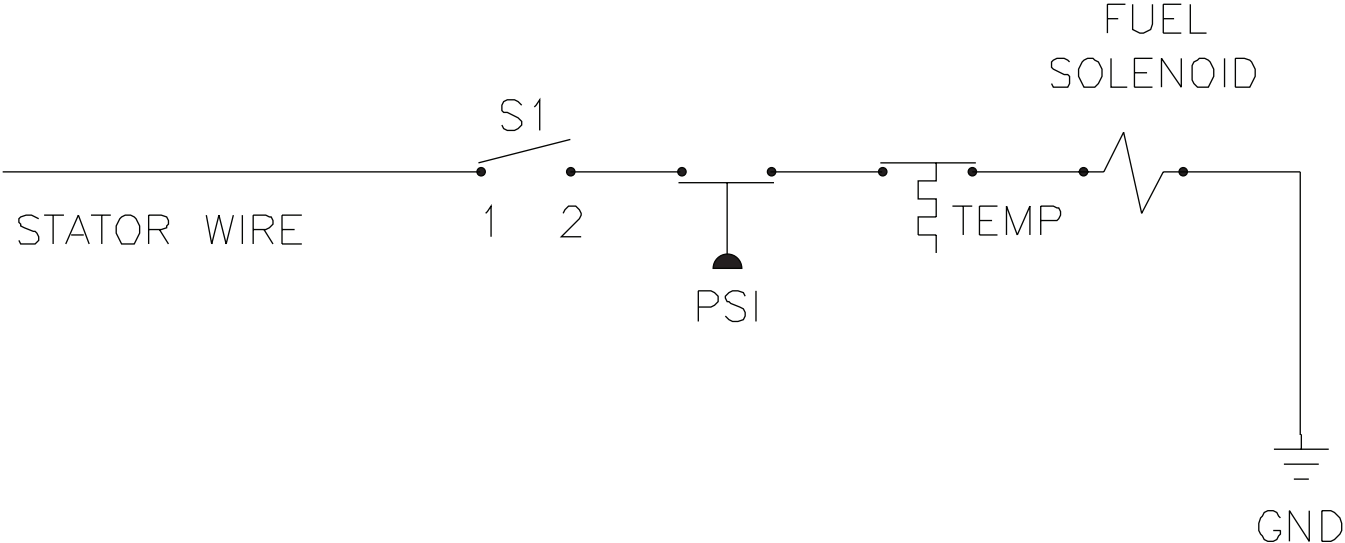
EMF SYSTEM (850-0257)			
REF. #	DESCRIPTION	PART #	QTY.
1	EMF Assembly	850-0257	1
2	Blower Flange Assembly	850-0258	1
3	Bearing	48-0041	2
4	Flange Blower	38-0040	1
5	Spacer	33-0206	1
6	Shaft- Blower/ Electric	20-0347	1
7	Woodruff Key	43-0080	2
8	Cable Clamp	32-0403	1
9	Screw	27-2070	1
10	Stator Coil	850-0201	1
11	Screw	27-0740	2
12	Flange Magnet Hub	38-0041	1
13	Hex Nut	30-0177	2
14	Bolt	27-8898	2
15	Flatwasher	28-0002	2
16	Ignition Coil Assembly	850-0191	1
17	Blower Fan	44-0099	1
18	Screw Set w/ Fan	30-3021	1

ELECTRIC BOX



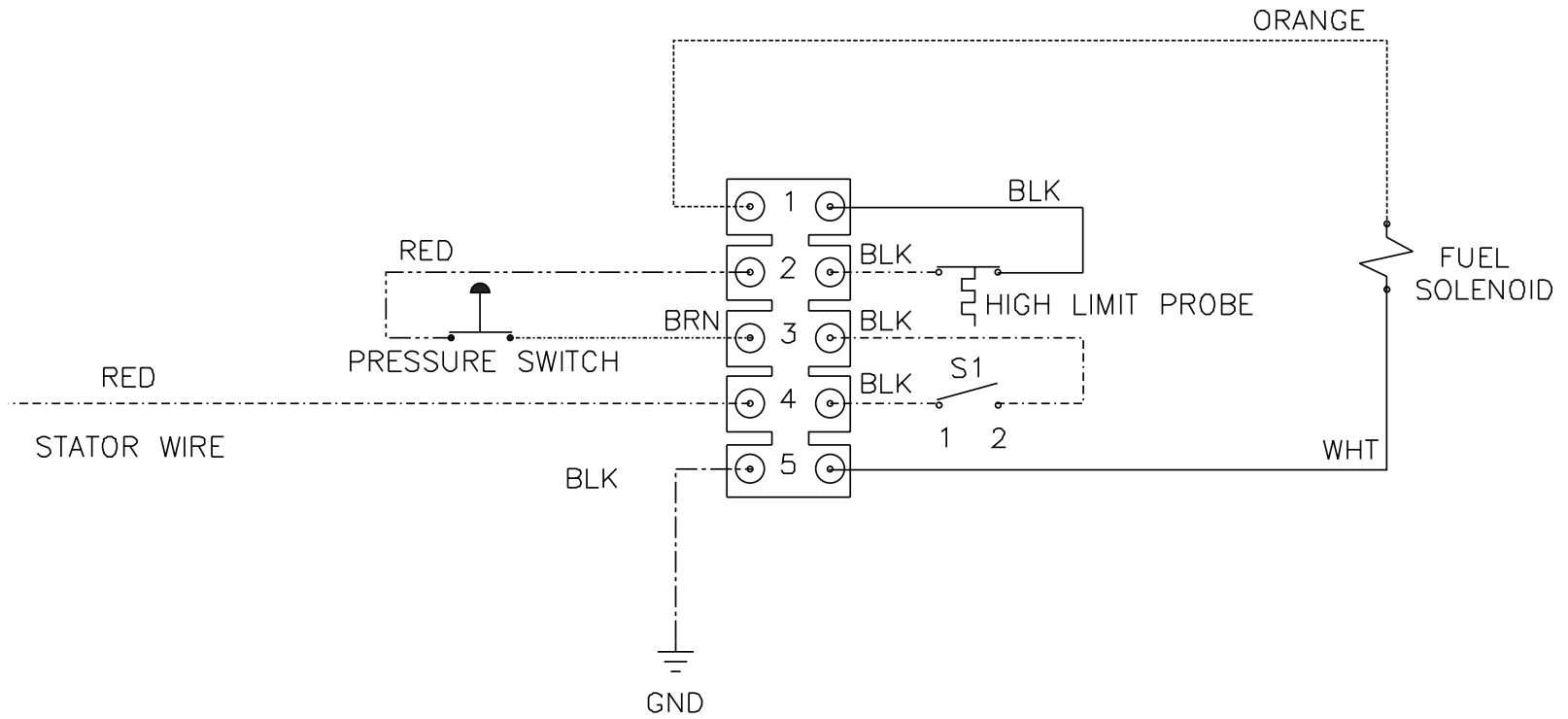
OMHSP082-012710-CH			
ELECTRIC BOX			
REF. #	DESCRIPTION	PART #	QTY.
1	Switch/ Rocker	32-0422	1
2	Bolt	27-8881	2
3	Bolt and Gasket Kit	70-0169	1
4	Electric Box Lid- Black	32-0430A01	1
5	Terminal Strip	32-0394	1
6	Hex Nut	30-0152	4
7	Bolt	27-8497	2
8	Electric Box- Black	32-0429A01	1
9	Electrical Connector	32-0085	1
10	Electric Box Bracket- Black	20-0380A01	1

WIRING SCHEMATIC



OMHSP050A-071796-BAR

WIRING DIAGRAM



OMHSP050B-071796-BAR

Manufactured by Mi-T-M
8650 Enterprise Drive, Peosta IA 52068
563-556-7484/ Fax 563-556-1235